

Our local partner:

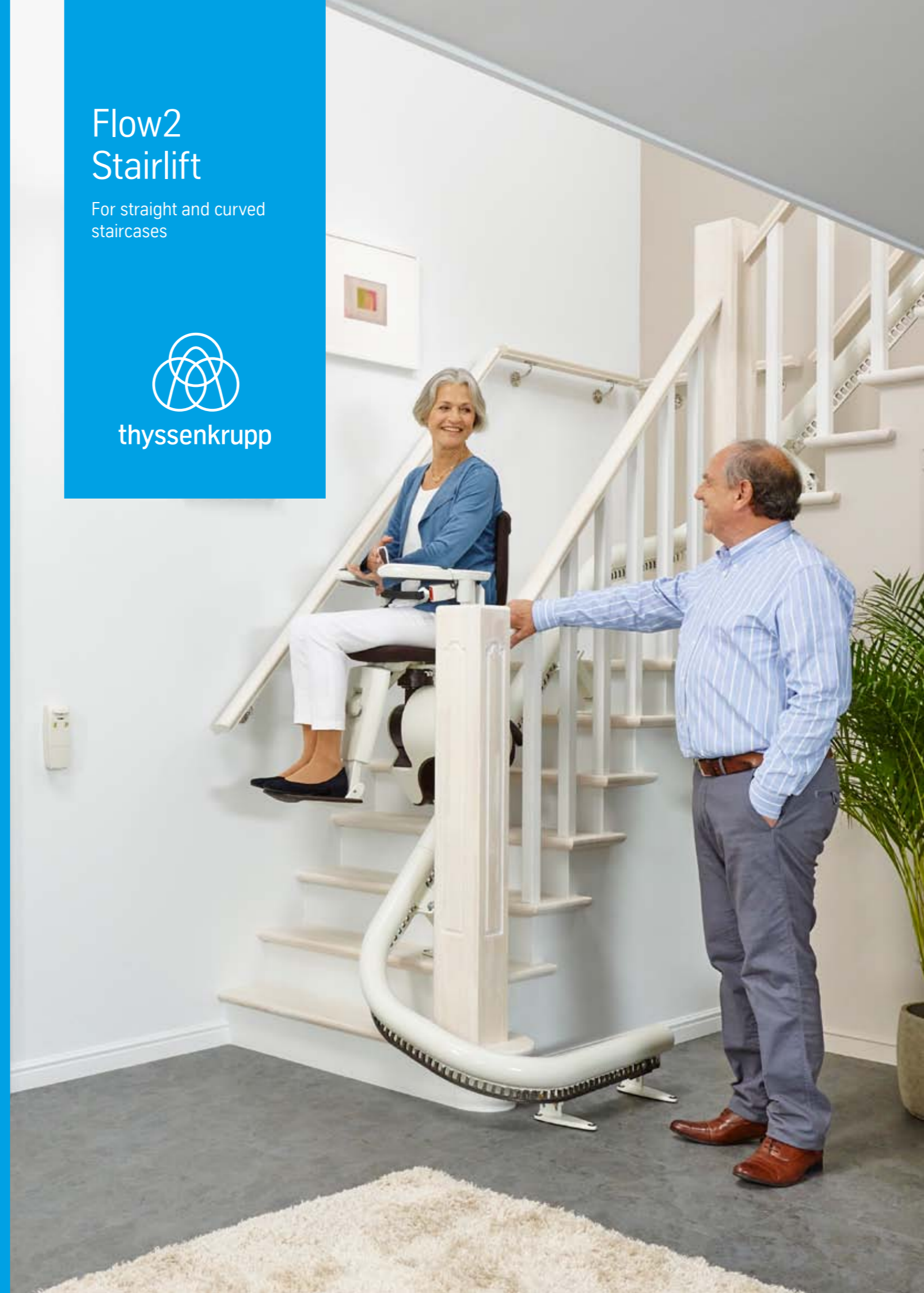
thyssenkrupp Access
thyssenkrupp AG, Representative Office
TechCenter Middle East, Dubai Festival
City, Festival Tower, Office 2101
P.O. Box 36774
Dubai – United Arab Emirates
www.tkaccess.com

Flow2 Stairlift

For straight and curved
staircases



thyssenkrupp



engineering.tomorrow.together.



Feel comfortable at home again

Award winning stairlifts from thyssenkrupp.

To choose a stairlift is a choice to remain independent in your own home. thyssenkrupp have designed, manufactured and installed quality stairlifts **for over 60 years**. With a large array of options, outlined throughout this brochure, our stairlifts can be installed onto nearly every staircase with minimal disruption.

"A great product. I would recommend thyssenkrupp stairlifts to anyone"

Customer Testimonial

Join the thyssenkrupp family and become one of our thousands of satisfied stairlift users. **If you have any questions or require any more information about our products and services, please get in touch with our local partner.**



The perfect match

The idea of having a stairlift may take a bit of getting used to. We understand this. Maybe you worry that it will be obtrusive, so we've kept these thoughts in mind when designing the Flow2.

Thanks to our monorail technology we can match almost any staircase requirement including; **extreme steepness, very narrow stairs or limited space at the top or at the bottom of your staircase**. The Flow2's monorail follows the curve of your stairs, minimising its obtrusiveness.

Additionally, the contemporary yet functional design **blends perfectly into your home, becoming a part of your interior**, just like a new piece of furniture. With many upholstery and rail colour options, you can choose whatever suits your interior best.



① Get on and off the chair safely

② Comfortable sitting position throughout the ride

③ Chair and footrest rotate together

④ Optimal rotation also in narrow and steep stairs

⑤ Ergonomically-positioned footrest for less knee flexion

A smooth ride

Whether you're going up or down, you'll always experience a very smooth and safe ride with the Flow2 stairlift.

Thanks to our **proven monorail concept** and **patented Advanced Swivel and Levelling (ASL) Technology** the chair and footrest rotate to the **optimal and safest position** during the ride. ASL saves you time and allows the Flow2 to easily handle the **tightest and steepest staircases** while you sit comfortably on your stairlift. This enables you to get off safely as the chair is already in the right place upon arrival.

thyssenkrupp is the only stairlift manufacturer on the market that offers ASL Technology.

With the ergonomically positioned footrest you'll experience **less knee flexion**, adding an extra comfort to your journey. When not in use the Flow2 occupies **only a small part** of the stairs, so your loved ones can easily walk up or down without being obstructed in the corridor or hallway.

Flow2 features

Flow2 is one of the world's most innovative stairlifts. It comes with a large selection of features which will benefit any stairlift user.



Retractable seat belt for added safety



Ergonomic position with comfortable low seat and less knee flexion.



Emergency lowering device



Call and park control



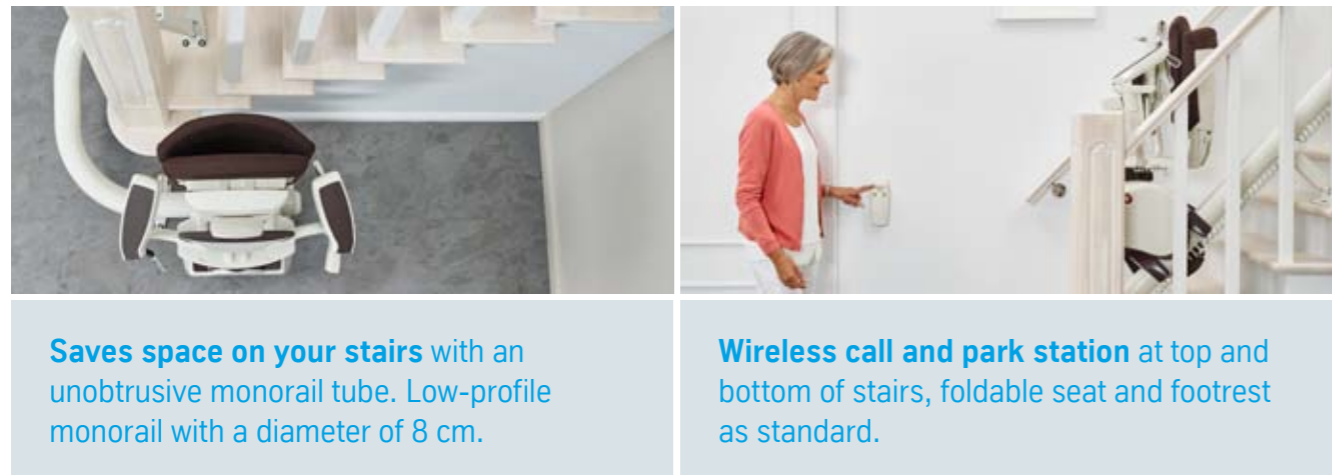
Parking bend or parking place halfway up stairs for 'out of the way' parking of the stairlift.



Battery-operated rack and pinion drive system.



Easy-to-fold chair saves space with **easy-to-use** footrest handle.



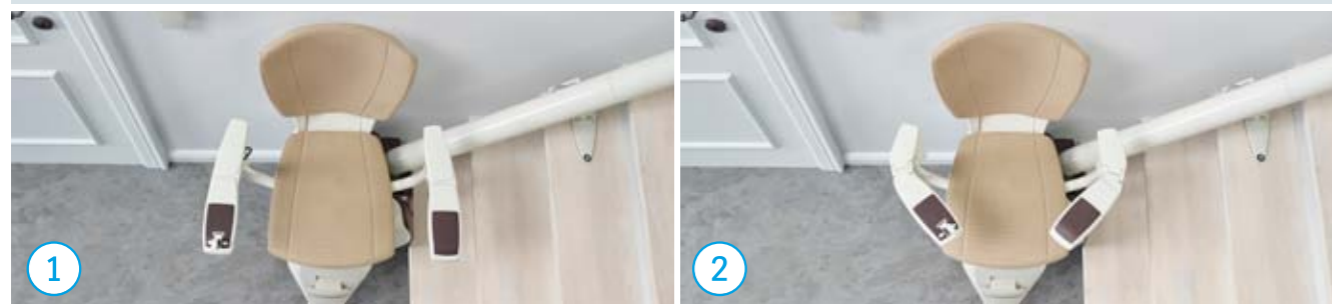
Saves space on your stairs with an unobtrusive monorail tube. Low-profile monorail with a diameter of 8 cm.

Wireless call and park station at top and bottom of stairs, foldable seat and footrest as standard.

Different arm and footrests.



(1) Standard footrest (2) Smaller footrest (3) Auto Stop Function means lift stops immediately in case of any obstruction.



Choose between traditional **straight armrests** (1) and **curved armrests** (2) for the sense of further safety as you travel up and down the stairs.

Customise your rail.

Whether you have limited space at the landing of your stairs or have room for a parking curve to make getting on and off your stairlift even easier, we have a number of options available to you. Our rail ending options eliminate the need for a hinged rail which in turn offers a more reliable configuration.



Our rails are available in four colours as standard, or choose to have it painted in any RAL colour as an additional option.



Joystick.



Innovative **joystick** is easy to operate, even with limited hand function.

Features and options.

Overview of upholstery styles and colours

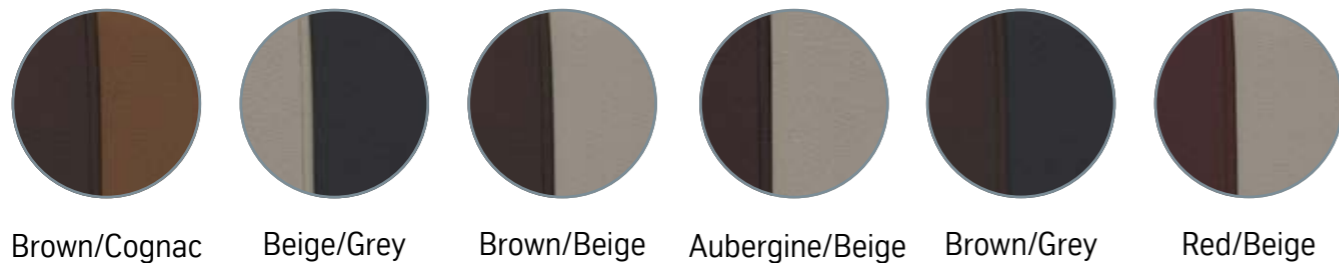
Vinyl upholstery colours



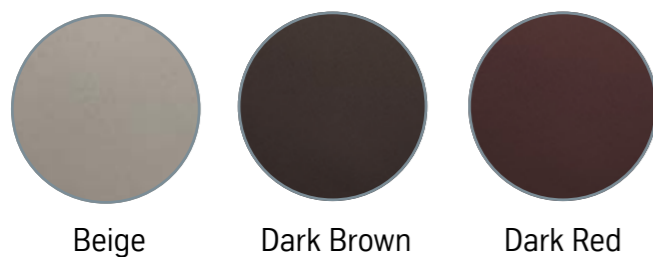
Fabric upholstery colours



Elegant leather



Deluxe leather



Technical fact sheet.

Flow2

Stairlift

Weight capacity	125 kg
Range of upholstery styles and colours	✓
Patented ASL Technology	✓
Ergonomic seat and folding armrests	✓
Adjustable seat height	✓
Folding footrest	✓

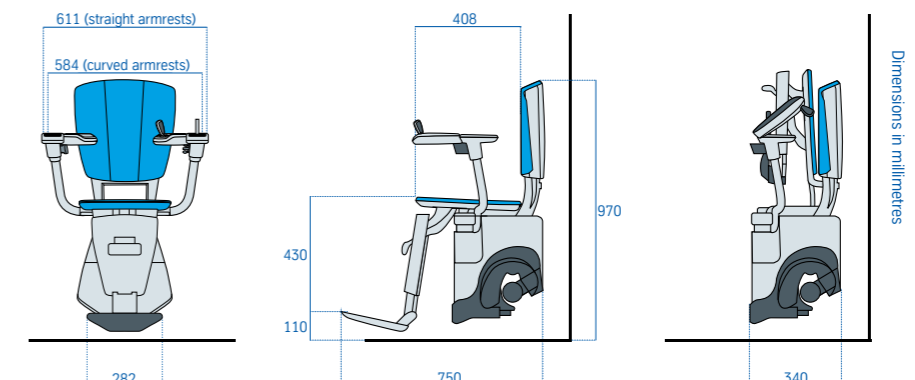
Installation

Installation on either side of staircase	✓
Parking at any selected charge point	✓
Quick, no-fuss installation	✓

Safety

Auto-stop when encountering an obstacle	✓
Retractable seat belt	✓
Attendant control	✓
Control and speed limiter	✓
Emergency lowering device	✓

✓ Available as standard ✓ Available as an option





thyssenkrupp – the diversified industrial group

Driven by global megatrends such as urbanisation and the need for efficient use of environmental resources, our global community of more than 150,000 colleagues works together with our customers to harness our engineering expertise and strive for technological and business solutions that satisfy the demand for “more” in a “better” way.



About thyssenkrupp.

thyssenkrupp was one of the first manufacturers of stairlifts with the **first built around 60 years ago.**

We have produced hundreds of thousands of stairlifts in our factory, and are continuously improving our production process and striving to meet the highest industry standards.



Geprüfte
Qualifikation
Gültigkeit:
1 Jahr



www.tuv.com
ID 000007442

- ✓ Innovation
- ✓ High-Quality
- ✓ Reliability
- ✓ Safety



Our employees will develop and produce your stairlift with a continuous drive for **innovation and customer focus.** Our state-of-the-art production process includes automatic robot welding for supreme accuracy and stringent quality control to guarantee not only a reliable, comfortable and easy-to-use product but also the **perfect match** for you and the stairs in your home. We are proud that this commitment has been awarded several times.